

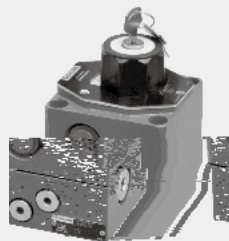


4.7

2FRM5 10 16

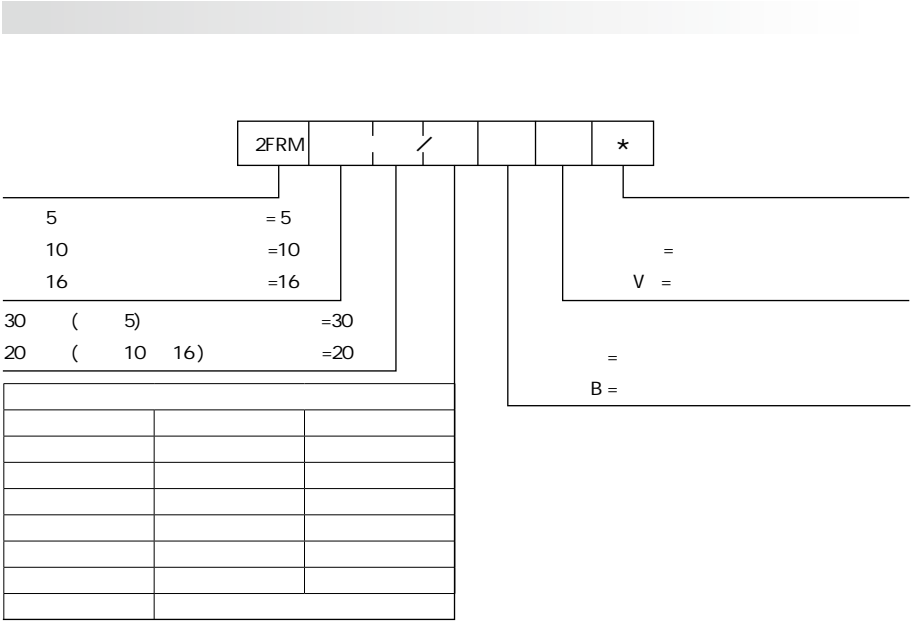
Z4S5 10 16

5, 10, 16  
315TSd  
160L/\_ [

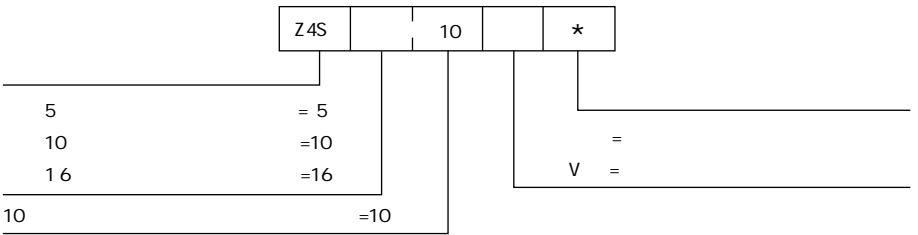


02 -  
03 -  
04 -  
05 -  
06-08



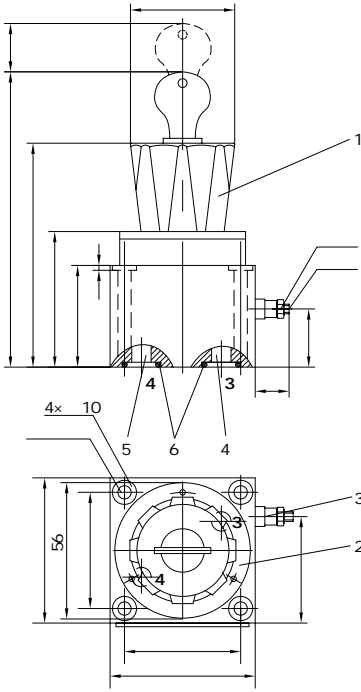


04





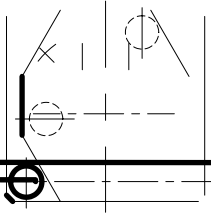




11:1

A f1

B D2  
D1' =



:

( : \_ \_ )

**Z4S5**

1-

2-

3-

4-0 12° 2.5

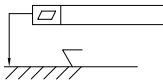
5-

:

4-M5° 80 GB/T70.1-10.9

 $M_k=8.9N_$ 

04

**Z4S10 Z4S16**

|    | B1    | B2    | B3  | D1 | H1 | H2 | H3  | H4  | L1    | L2    | L3  |
|----|-------|-------|-----|----|----|----|-----|-----|-------|-------|-----|
| 10 | 101.5 | 82.5  | 9.5 | 9  | 50 | 30 | 125 | 205 | 95    | 76    | 9.5 |
| 16 | 123.5 | 101.5 | 11  | 11 | 85 | 40 | 147 | 272 | 123.5 | 101.5 | 11  |