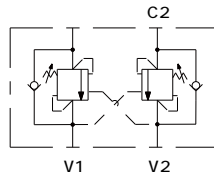


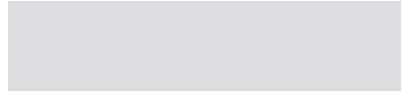


FBRC

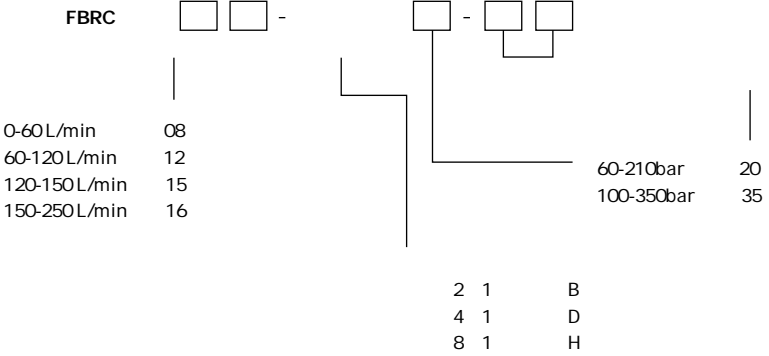
(bar)	350	
(L/min)	250	O2



C1 C2
2 1 1



V1 V2
C2



	350bar 5000psi
	250L/min 66gpm)
	100-350bar
	2:1 4:1 8:1
	7.4 420mm ² /s
	-30 100
	ISO4406 20/18/14
	17/15/13

